

SUN2000-215KTL-H0

Smart String Inverter



9
MPP Trackers



Max. Efficiency
≥99.0%



Smart String-Level
Disconnecter



Smart I-V Curve
Diagnosis Supported



MBUS
Supported



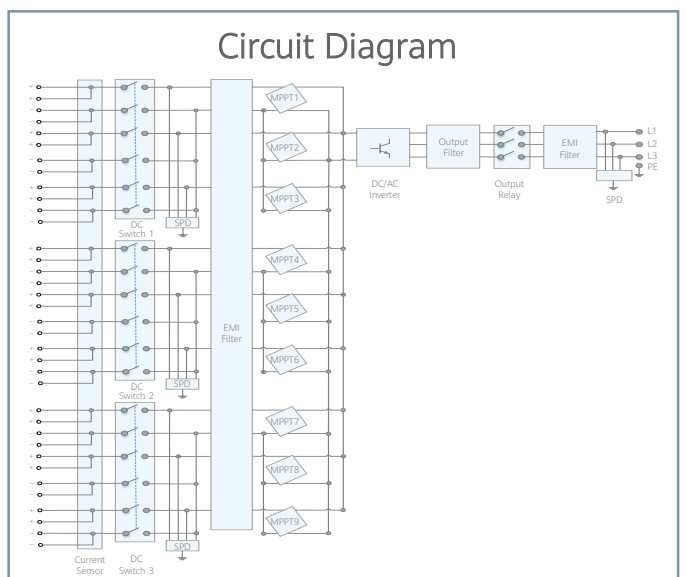
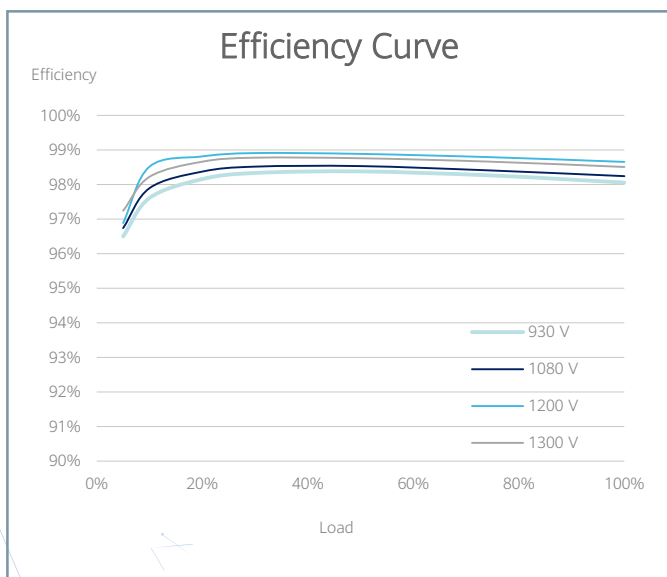
Fuse Free
Design



Surge Arresters for
DC & AC



IP66
Protection



Technical Specifications

| Efficiency | |
|--|--|
| Max. Efficiency | 99.00% |
| European Efficiency | 98.80% |
| Input | |
| Max. Input Voltage | 1,500 V |
| Max. Current per MPPT | 30 A |
| Max. Short Circuit Current per MPPT | 50 A |
| Start Voltage | 550 V |
| MPPT Operating Voltage Range | 500 V ~ 1,500 V |
| Nominal Input Voltage | 1,080 V |
| Number of Inputs | 18 |
| Number of MPP Trackers | 9 |
| Output | |
| Nominal AC Active Power | 200,000 W |
| Max. AC Apparent Power | 215,000 VA |
| Max. AC Active Power (cosφ=1) | 215,000 W |
| Nominal Output Voltage | 800 V, 3W + PE |
| Rated AC Grid Frequency | 50 Hz / 60 Hz |
| Nominal Output Current | 144.4 A |
| Max. Output Current | 155.2 A |
| Adjustable Power Factor Range | 0.8 LG ... 0.8 LD |
| Max. Total Harmonic Distortion | < 3% |
| Protection | |
| Input-side Disconnection Device | Yes |
| Anti-islanding Protection | Yes |
| AC Overcurrent Protection | Yes |
| DC Reverse-polarity Protection | Yes |
| PV-array String Fault Monitoring | Yes |
| DC Surge Arrester | Type II |
| AC Surge Arrester | Type II |
| DC Insulation Resistance Detection | Yes |
| Residual Current Monitoring Unit | Yes |
| Communication | |
| Display | LED Indicators, WLAN + APP |
| USB | Yes |
| MBUS | Yes |
| RS485 | Yes |
| General | |
| Dimensions (W x H x D) | 1,035 x 700 x 365 mm (40.7 x 27.6 x 14.4 inch) |
| Weight (with mounting plate) | ≤86 kg (189.6 lb.) |
| Operating Temperature Range | -25°C ~ 60°C (-13°F ~ 140°F) |
| Cooling Method | Smart Air Cooling |
| Max. Operating Altitude without Derating | 4,000 m (13,123 ft.) |
| Relative Humidity | 0 ~ 100% |
| DC Connector | Staubli MC4 EVO2 |
| AC Connector | Waterproof Connector + OT/DT Terminal |
| Protection Degree | IP66 |
| Topology | Transformerless |